



# Nemalux LED Lighting

## XCANLED-DC

The Nemalux XCANLED-DC is a durable and robust fixture with a projected lifespan of 100,000 hours. This fixture has been used in many commercial applications as well as for hazardous locations. The Nemalux XCANLED-DC lets you achieve a variety of different lighting effects, although it was designed for high brightness ambient lighting applications. In some cases this LED solution will replace High Pressure Sodium (HPS) or High intensity Discharge (HID) technology.

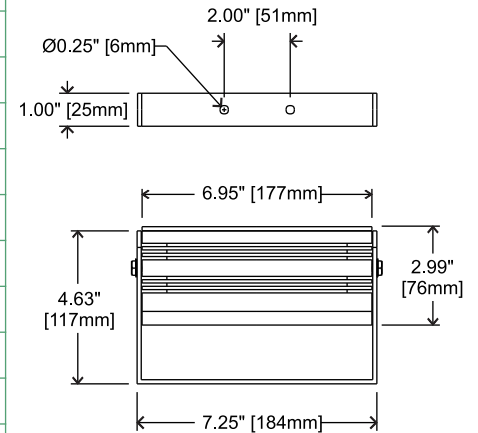
### KEY FEATURES

- Available in 50°(narrow) or 100°(wide) symmetric optics
- Hazardous location approved
- Appropriate thermal management for longevity.
- Robust construction suitable for outdoor applications
- Operational and environmental benefits of LED technology
- 12 or 24 VDC Input Voltage
- Ideal for solar powered applications

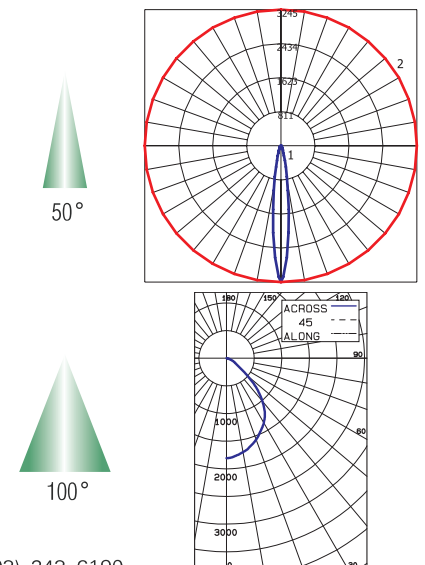


### TECHNICAL SPECIFICATIONS / MAXIMUM RATINGS

HOUSING	Aluminum
MOUNTING	1/4" - 20 Mounting Screws Aluminum 1" Mounting Yoke
V max	28 VDC
POWER	31.6 W @ 12 VDC or 33.6 @ 24 VDC
TYPICAL INPUT VOLTAGE	24 VDC
CURRENT	2.64 A @12 VDC or 1.4 A @ 24 VDC
CONNECTIONS	6ft Flying Lead   White: + Black: -
TEMPERATURE RANGE	-40°C - +85°C
TYPICAL CASE TEMPERATURE	~20°C above ambient temperature
CERTIFICATIONS	Certified to CSA 22.2 No. 250.0, Conforms to UL 1598 standard, Class 1 Division 2 Groups ABCD, T3
INGRESS PROTECTION	IP66
COLOR TEMP RANGE	CW: 6500k   WW: 3500k
CRI VALUE	CW: 75   WW: 80
TOTAL LUMENS	3097
TOTAL SCOTOPIC LUMENS	6628
WEIGHT	4.5 lb



### PHOTOMETRICS



MODEL	COLOR	OPTIC	FINISH
-------	-------	-------	--------



\*Contact for C1D2 information



**CW** -Cool White  
**WW** -Warm White

\*Contact for custom LED color

**N** -Narrow  
**W** -Wide  
**NF** -Narrow Frosted  
**WF** -Wide Frosted

**ALU**- Aluminum

\*Contact for custom color

\*\*Anodizing Available