



The **Nemalux XCANLEDac** is a durable and robust fixture with a projected lifespan of 100,000 hours. This fixture has many commercial applications as well as approved for hazardous locations.

The **Nemalux XCANLEDac** lets you achieve a variety of different lighting effects, although it was design for high brightness ambient lighting applications. In some cases this LED solutions will replace High Pressure Sodium (NPS) or High Intensity Discharge (HID) technology.

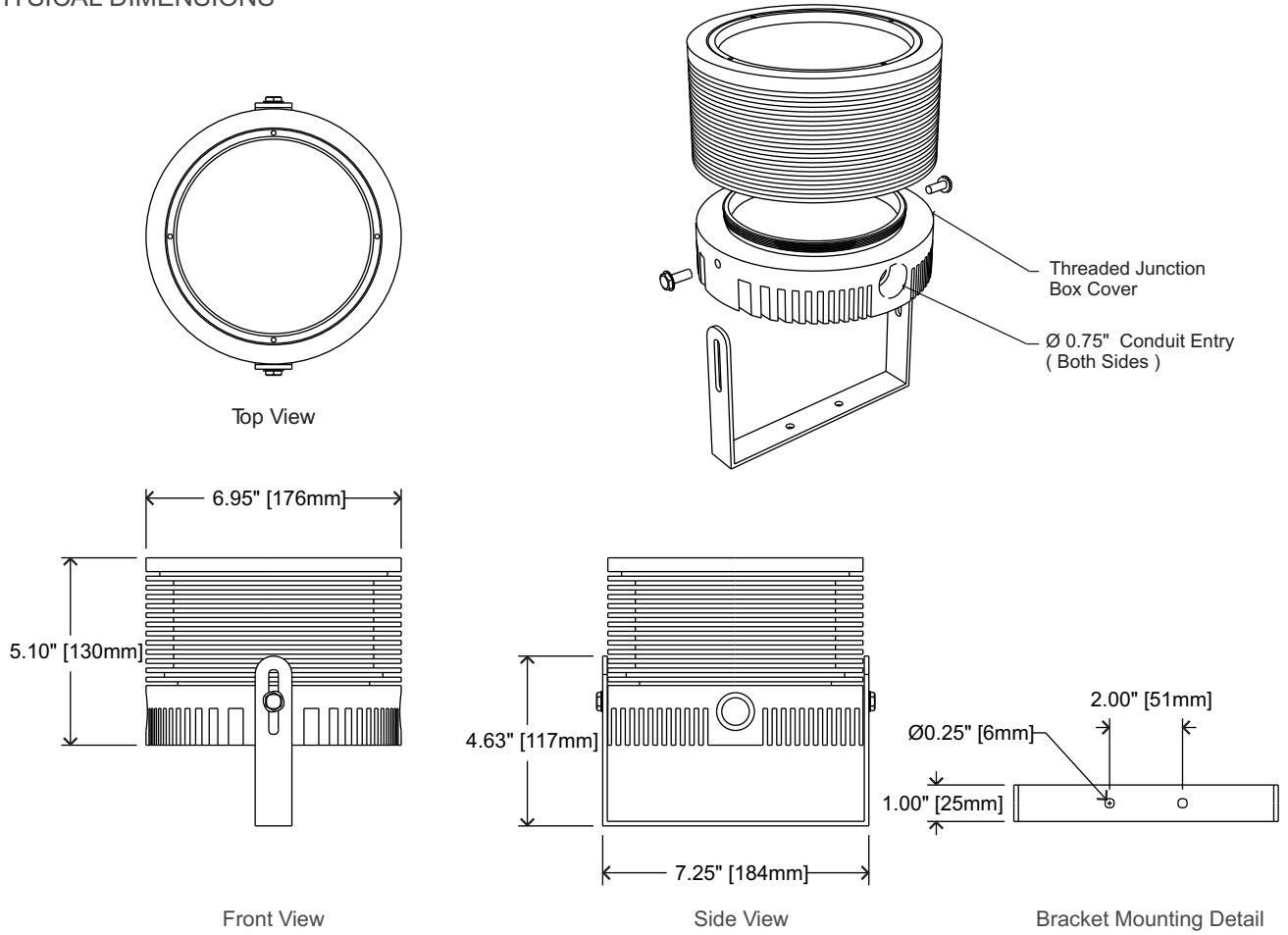
KEY FEATURES

- Available 100°(wide) symmetric optics
- Hazardous Location Approved
- Appropriate Thermal Management for longevity
- Robust construction suitable for outdoor or applications
- Operational and environmental benefits of LED technology
- 120 VAC Input Voltage
- Built in Junction Box for easy wiring

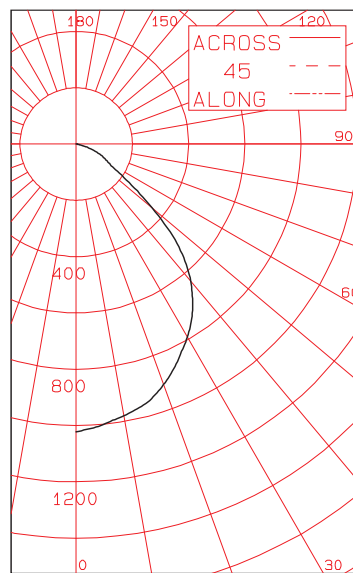
TECHNICAL SPECIFICATIONS / MAXIMUM RATINGS

HOUSING	Aluminum
MOUNTING	1/4"-20 Mounting Screws
VOLTAGE	120-250 VAC, 50/60 Hz
POWER max	62 W
CURRENT max	0.5 A
CONNECTIONS	Short Flying Lead (or 3/4 inch NPT) Black; Line, White; Neutral
TEMPERATURE RANGE	-40 - +85 Celsius
CERTIFICATIONS	Class I Div II, Groups C & D, T3 Approval Pending
INGRESS PROTECTION	IP66, Approval Pending
WEIGHT	9.5 lb

PHYSICAL DIMENSIONS



PHOTOMETRICS

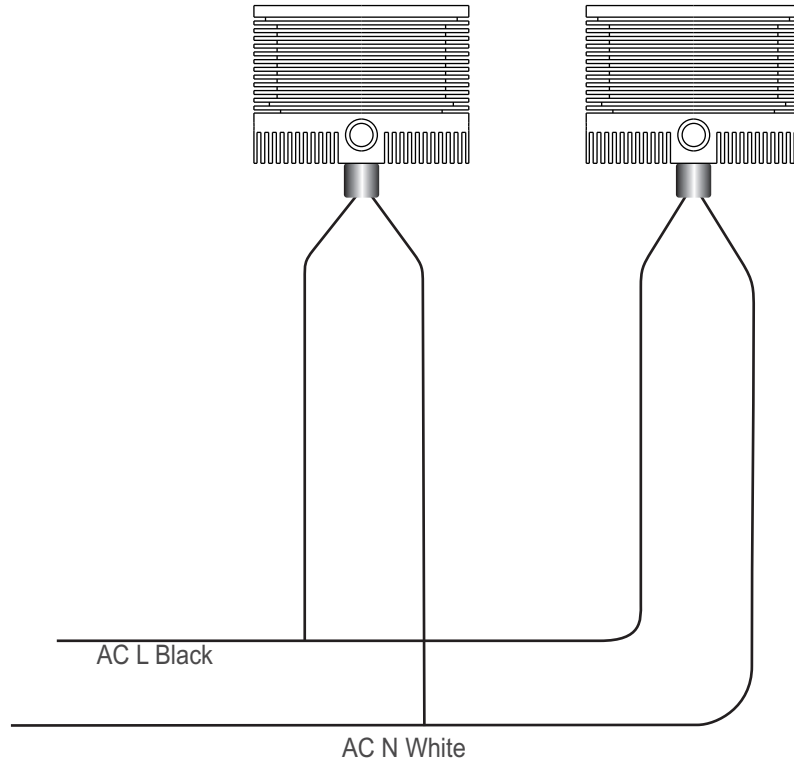


Polar Graph of 100 Degree Beam Width.
Candela Distribution Front View.

XCANLEDac rev 1.3



WIRING



STANDARD ORDER CODES

XCANLEDac — — — — —

COLOR	OPTIC	CONNECTION	FINISH	CERTIFICATION
CW -Cool White	N -Narrow	FLY - Flying leads	ALU - Aluminum	GEN -General Class 1 Div 2 Groups C, D
WW -Warm White	W -Wide			
GRN -Green	NF - Narrow Frosted	CON -Conduit Entry	CUS -Custom color	
CYN -Cyan				
BLU -Blue	WF - Wide Frosted			
RB -Royal Blue				
DB -Dental Blue***				
RED -Red				
RO -Red-Orange				
AMR -Amber				

*** Special Order

XCANLEDac rev 1.3

