



Nemalux LED Lighting

CANLED-DC

The Nemalux CANLED-DC is a durable and robust fixture with a projected lifespan of 100,000 hours. The CANLED-DC has been approved for hazardous locations but is also an effective solution for many commercial and residential applications. The Nemalux CANLED-DC lets you achieve a variety of different lighting effects, from surface grazing to direct illumination of target spaces or objects. For mounting flexibility, the CANLED-DC comes with an adjustable yoke.

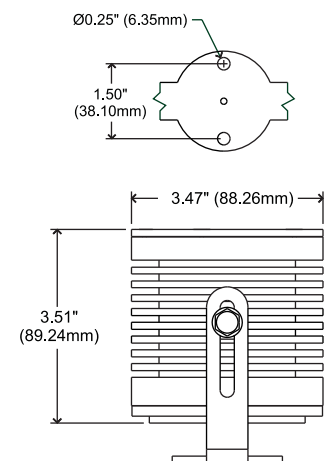
KEY FEATURES

- Available with 50° (narrow) or 100° (wide) symmetric optics
- Adjustable mounting bracket
- Hazardous location approved
- Appropriate thermal management for longevity.
- Robust construction suitable for outdoor applications
- Operational and environmental benefits of LED technology

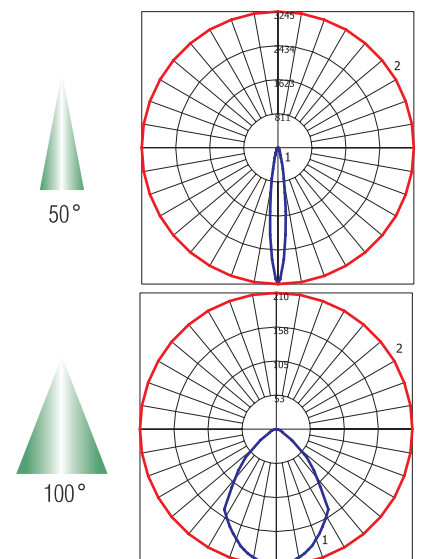


TECHNICAL SPECIFICATIONS / MAXIMUM RATINGS

HOUSING	Aluminum
MOUNTING	Aluminum Yoke
VOLTAGE MAXIMUM	28 VDC
TYPICAL INPUT VOLTAGE	12-24 VDC
POWER	7.9 W @ 12 VDC 8.4 W @ 24 VDC
CURRENT	660 mA @12 VDC, or 350 mA @ 24 VDC
CONNECTIONS	6ft Flying Lead White: + Black: -
TEMPERATURE RANGE	-40°C - +85°C
TYPICAL CASE TEMPERATURE	~15°C above ambient temperature
CERTIFICATIONS	Certified to CSA 22.2 No. 250.0, Conforms to UL 1598 standard, Class 1 Division 2 Groups ABCD, T3
INGRESS PROTECTION	IP66
COLOR TEMP RANGE	CW: 6500k WW: 3500k
CRI VALUE	CW: 75 WW: 80
TOTAL LUMENS	416
TOTAL SCOTOPIC LUMENS	890
WEIGHT	2.5lb



PHOTOMETRICS



CANLED rev 1.5

MODEL	COLOR	OPTIC	FINISH
-------	-------	-------	--------

CANLED-DC	—		—		—	
-----------	---	--	---	--	---	--

*Contact for C1D2 information



CW -Cool White
WW -Warm White

**Contact for custom color

N -Narrow
W -Wide
NF -Narrow Frosted
WF -Wide Frosted

ALU- Aluminum

**Contact for custom color

- Anodizing
- Powder coating