



KEY FEATURES

- Available with 30° (Narrow) or 100° (wide) symmetric optics
- Two Mounting Options
- Thermally managed for maximum longevity
- Suitable for indoor and outdoor applications
- Operational and environmental benefits of LED technology
- Lifespan up to 100 000 hours typical



MODEL NUMBER SELECTOR

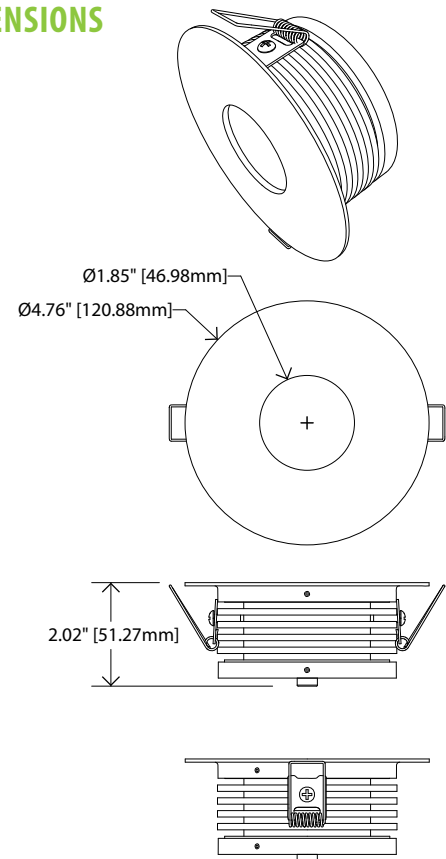
Example: RECLEd-NW-W-ALU-CLP

MODEL	COLOR	OPTIC	FINISH	MOUNT
RECLEd				
	CW - Cool White NW - Neutral White WW - Warm White CUS - Custom <i>Contact for custom color</i>	N - Narrow W - Wide NF - Narrow Frosted WF - Wide Frosted	ALU - Aluminum BLK - Black WHT - White <i>Contact for custom color</i>	CLP - Spring Clips SCW - Surface Screws

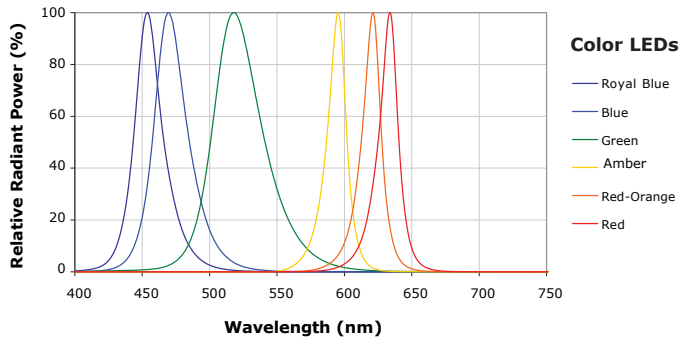
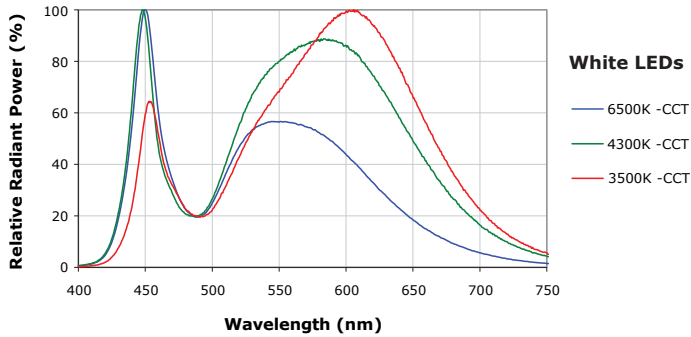
TECHNICAL SPECIFICATIONS / MAXIMUM RATINGS

HOUSING	Aluminum
MOUNTING	Spring Clips or Four #6 Screws
VOLTAGE MAXIMUM	28 VDC
TYPICAL INPUT VOLTAGE	12-24 VDC
POWER	7.9 W @ 12 VDC 8.4 W @ 24 VDC
CURRENT	0.660 A @ 12 VDC 0.35 A @ 24 VDC
CONNECTIONS	6Ft Flying Lead White: + Black: -
TEMPERATURE RANGE	-40°C – +85°C
TYPICAL CASE TEMPERATURE	~15°C Above Ambient Temperature
CERTIFICATIONS	General Location
INGRESS PROTECTION	IP54
COLOR TEMP RANGE	CW: 6500K NW: 4300K WW: 3500K
CRI VALUE	CW: 75 NW: 75 WW: 80
TOTAL LUMENS	416
TOTAL SCOTOPIC LUMEN	890
WEIGHT	2.5 lb 1.14 kg

DIMENSIONS



PHOTOMETRICS



NARROW BEAM



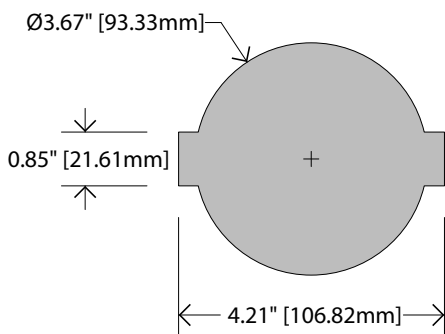
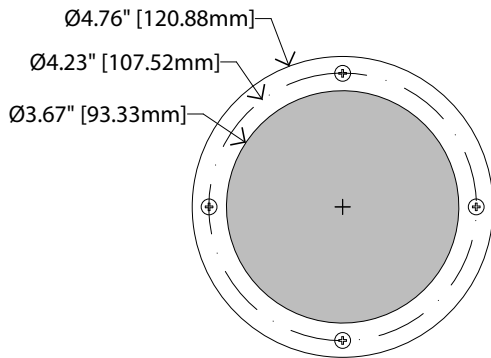
FROSTED LENS



WIDE BEAM



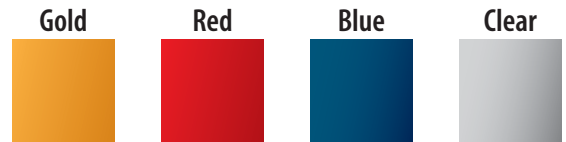
MOUNTING OPTIONS



CUSTOM OPTIONS

FACE TRIM CUSTOM FINISHES

Anodized Aluminum



Please contact for further options

Powder Coated Aluminum



Please contact for further options