



KEY FEATURES

- Available with 30° (Narrow) or 100° (wide) symmetric optics
- Hazardous location available
*Pending
- Thermally managed for maximum longevity
- Lifespan up to 100 000 hours
- Available in multiple lengths and with Colored LEDs

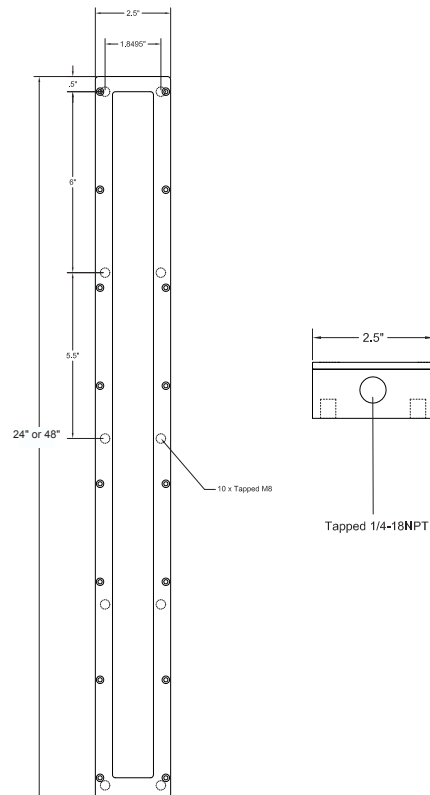
MODEL NUMBER SELECTOR Example: HAZLEDIP-48-NW-N-BLK-12VDC

MODEL	LENGTH	COLOR	OPTIC	FINISH	POWER
HAZLEDIP					
	24 -24 Inches 48 -48 Inches	CW - Cool White NW - Neutral White WW - Warm White CUS -Custom <i>Contact for custom color</i>	N -Narrow W -Wide NF -Narrow Frosted WF -Wide Frosted	BLK- Black WHT- White ANZ- Anodized NP- Nickle Plated <i>Contact for custom finish</i>	12VDC -12 Volts DC 24VDC -24 Volts DC

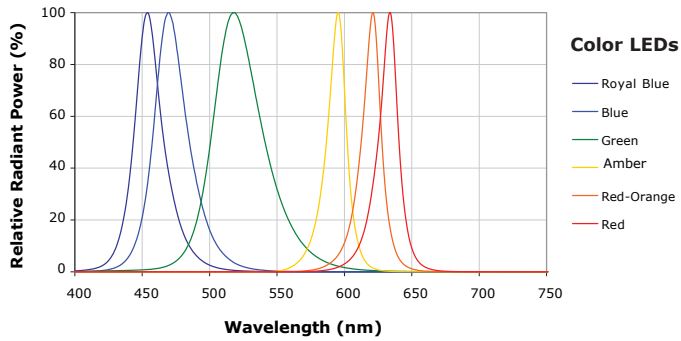
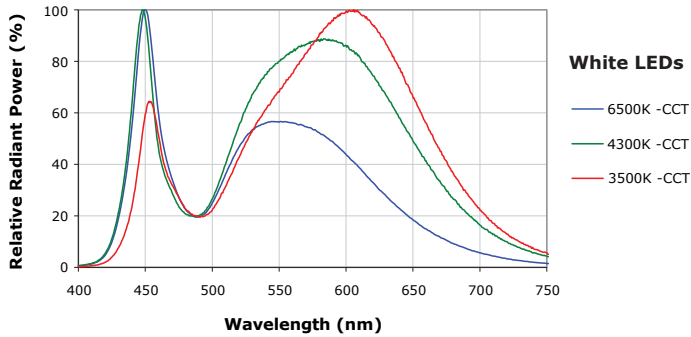
TECHNICAL SPECIFICATIONS / MAXIMUM RATINGS

HOUSING	Machined Aluminum
MOUNTING	Tapped M8
VOLTAGE MAXIMUM	28 VDC
TYPICAL INPUT VOLTAGE	12 VDC
POWER	8.4 W per foot
CURRENT	0.66 A @ 24 VDC
CONNECTIONS	Turck Pico Connector
TEMPERATURE RANGE	-40°C – +85°C
TYPICAL CASE TEMPERATURE	~15°C Above Ambient Temperature
CERTIFICATIONS	Certified To CSA 22.2 No. 250.0 , Conforms To UL 1598 Standard, Class 1 Division 2 Groups ABCD , T3
INGRESS PROTECTION	IP67- *Pending
COLOR TEMP RANGE	CW: 6500K NW: 4300K WW: 3500K
CRI VALUE	CW: 75 NW: 75 WW: 80
TOTAL LUMENS	604 per foot
TOTAL SCOTOPIC LUMEN	1262 per foot
WEIGHT	1.5lb 0.7 kg per foot

DIMENSIONS



PHOTOMETRICS



NARROW BEAM



FROSTED LENS



(Shown in White Option)

WIDE BEAM



CUSTOM OPTIONS

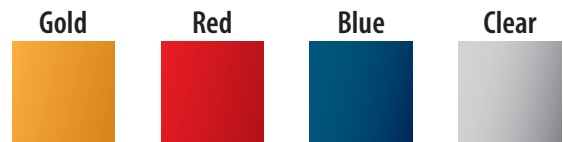
WIRING SELECTIONS



Other wire lengths available in 1 foot increments.

CUSTOM FINISHES

Anodized Aluminum



Please contact for further options

Powder Coated Aluminum



Please contact for further options