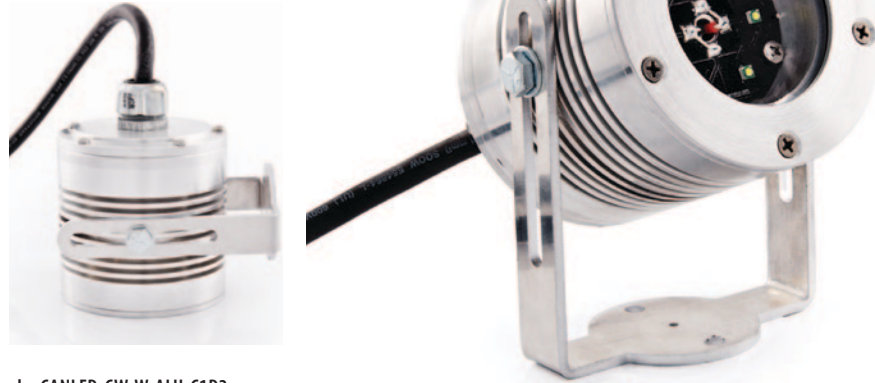




KEY FEATURES

- Available with 30° (Narrow) or 100° (wide) symmetric optics
- Hazardous location available
- Thermally managed for maximum longevity
- Adjustable mounting bracket
- Operation and environmental benefits of LED technology
- Robust construction suitable for outdoor applications



MODEL NUMBER SELECTOR

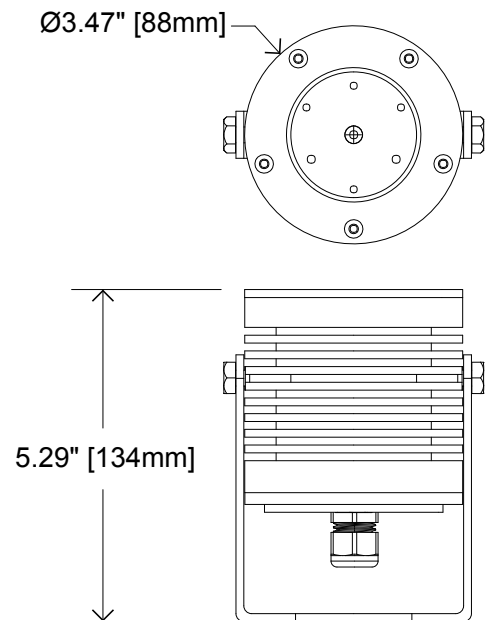
Example: CANLED-CW-W-ALU-C1D2

MODEL	COLOR	OPTIC	FINISH	LOCATION
CANLED				C1D2
	CW - Cool White NW - Neutral White WW - Warm White CUS - Custom <i>Contact for custom color</i>	N -Narrow W -Wide NF -Narrow Frosted WF -Wide Frosted	ALU -Aluminium CUS -Custom <i>See pg2 for custom finishes</i>	C1D2 - Class1, Div 2 <i>GEN Available for General Locations See CANLED-GEN</i>

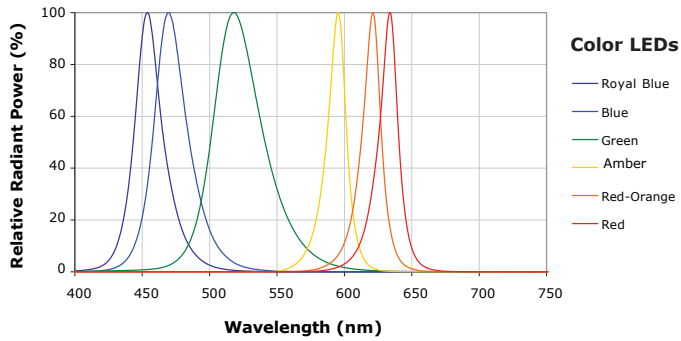
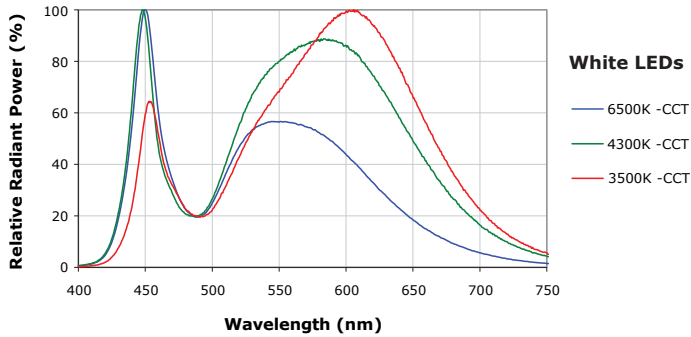
TECHNICAL SPECIFICATIONS / MAXIMUM RATINGS

HOUSING	Aluminum
MOUNTING	Aluminum Yoke
VOLTAGE MAXIMUM	28 VDC
TYPICAL INPUT VOLTAGE	12-24 VDC
POWER	7.9 W @ 12 VDC 8.4 W @ 24 VDC
CURRENT	0.66 A @12 VDC 0.35 A @ 24 VDC
CONNECTIONS	6Ft Flying Lead (Custom Lengths Available)
TEMPERATURE RANGE	-40°C – +85°C
TYPICAL CASE TEMPERATURE	~15°C Above Ambient Temperature
CERTIFICATIONS	Certified To CSA 22.2 No. 250.0 , Conforms To UL 1598 Standard, Class 1 Division 2 Groups ABCD , T3
INGRESS PROTECTION	IP66
COLOR TEMP RANGE	CW: 6500K NW: 4300K WW: 3500K
CRI VALUE	CW: 75 NW: 75 WW: 80
TOTAL LUMENS	442
TOTAL SCOTOPIC LUMEN	946
WEIGHT	2.3 lb 1.04 kg

DIMENSIONS

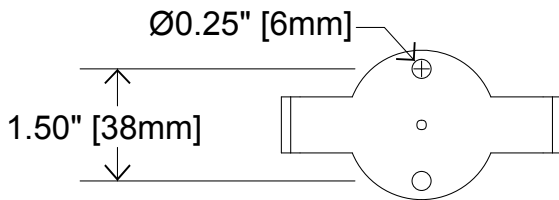


PHOTOMETRICS



MOUNTING OPTIONS

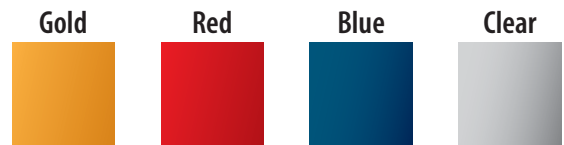
MOUNTING BRACKET



CUSTOM OPTIONS

CUSTOM FINISHES

Anodized Aluminum



Please contact for further options

Powder Coated Aluminum



Please contact for further options